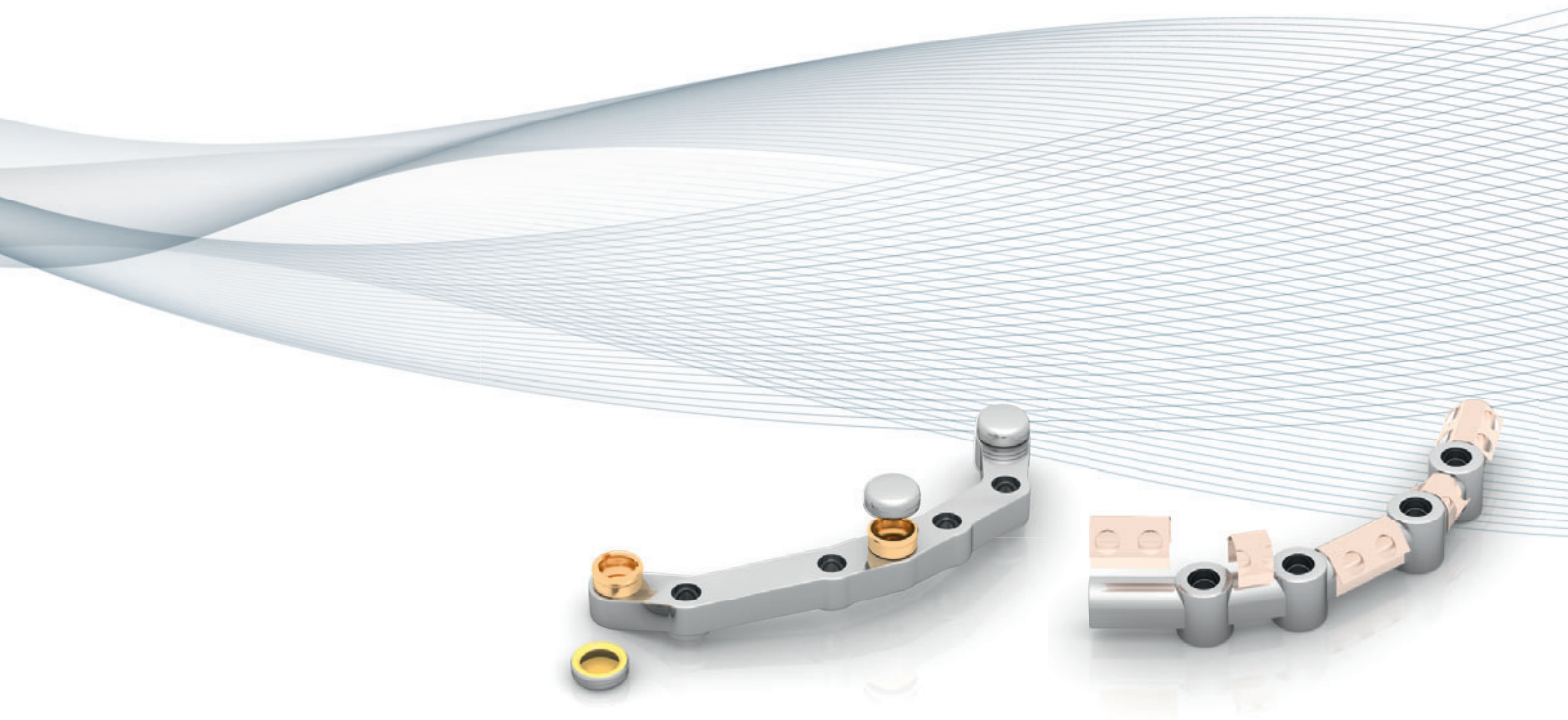




NobelProcera[®] Implant Bar Overdenture

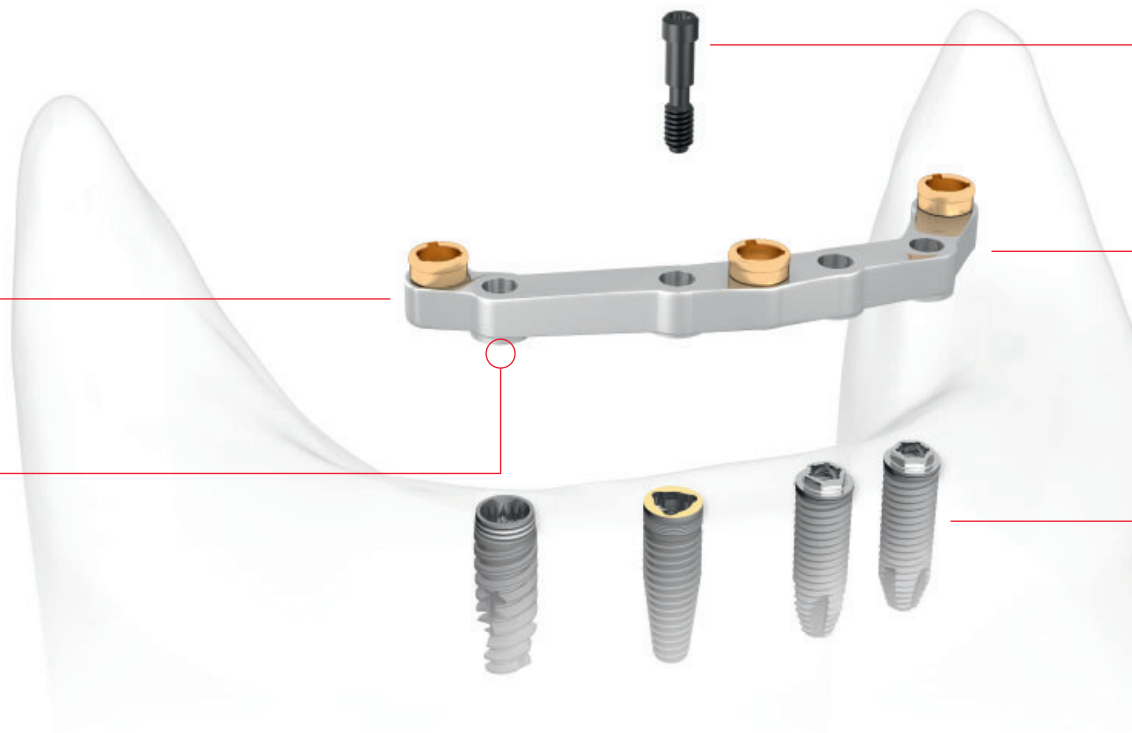
EXPERIENCE THE NEW WORLD OF CAD/CAM DENTISTRY



NobelProcera® Implant Bar Overdenture – complete range of fixed and removable solutions.



For a variety of attachment systems
Suits every patient's needs.



Light and biocompatible
Bars milled out of surgical grade 6Al-4V titanium, which is four times lighter than gold.

Precision of fit
For ideal load transfer and long-term stable screw joints.

Dental technician designs individualized overdenture implant bars for all indications – from low cost to high-end options.

CAD/CAM process ensures precision, speed and cost-efficiency.

Cutting-edge 3D software designed by technicians for technicians.

Bars are highly polished and ready-to-use, including clinical screws and attachments.*

5-year product warranty.

TorqTite clinical screws

Carbon-coated titanium screws for ideal preload and reduced screw-loosening.



High precision of fit for up to 12 implants.



Attachments are screwed into the bar.

CAD/CAM dentistry

Individually designed and industrially manufactured overdenture implant bars. Delivered highly-polished and ready-to-use.

For a variety of implant systems

Available for Nobel Biocare implants and multi-unit abutments, third party implant systems and combinations thereof.

Clinical considerations for selecting a removable restoration

- Rehabilitation in case of significant loss of hard and soft tissue.
- Reduced need for vertical bone augmentation procedures.
- Simple and cost-efficient long-term adjustments possible for tissue adaptation and support of extra-oral tissue.
- Removable for easy hygiene maintenance.
- No chewing discomfort, as the denture is highly stable.

Computer-aided manufacturing (CAM): quality and precision of fit

- Bar milled out of a biocompatible titanium monobloc, ensuring precision of fit and absence of welding seams.
- Milling eliminates porosity issues, common with casting procedures.
- High strength reduces likelihood of extension breakage.
- Delivered with highly polished tissue-bearing surface to facilitate oral hygiene.
- Strict quality control and 5-year warranty.

* Availability of attachments may differ from country to country depending on regulatory clearance. However, all implant bars are delivered pre-tapped to accept the desired attachments.

NobelProcera® Implant Bar Overdenture for all indications.



Free Form Milled Bar with Locator® attachments



Dolder® Bar with gold riders



Montreal Bar



Hader Bar with clips and housings



Free Form Milled Bar with ball attachments



Possibility to restore severe implant angulations

NobelProcera offers both removable and fixed overdenture implant bar solutions, ranging from low cost to high-end options, for all customer needs.

Wide selection of implant bars and attachments*

Overdenture implant bars: Dolder® (rigid, resilient, micro, macro), Hader, Round, Paris, Free Form Milled (buccal and lingual taper from 0° to 10° in 0.5° steps)

Fixed prosthesis bars: Wrap-around, Montreal, Montreal with metallic lingual

Attachments: Dolder® extension riders (gold, micro and macro), Ball 2.25 (Dalbo®-Plus), Ball 2.2 (Bredent™), Ball 2.5 (TSB), Locator®, Anchor System M3, Hader clips with metal housing

For a wide selection of implant systems

All Nobel Biocare two-piece implants

Wide selection of third party implants being introduced, such as Straumann®, Biomet 3i®, Astra Tech®, Zimmer® and more to come.**

* Availability of bars and attachments may differ from country to country depending on regulatory clearance.

** For a detailed list, contact your local Nobel Biocare representative.

The following trademarks apply: Dolder® and Dalbo® are registered trademarks of Cendres+Métaux Group, Bredent™ of Bredent GmbH & Co. KG, Locator® of Zest Anchors Inc, Astra Tech® of Astra Tech Group, Straumann® of Institut Straumann AG, 3i® of Biomet Group, and Zimmer® of Zimmer Group.

NobelProcera® CAD/CAM process – precise, fast, cost-efficient.



1. Preparation

Dentist

Takes an impression using conventional procedures.

Dental laboratory

Fabricates the model and the necessary devices to record the maxillo-mandibular relationship.

Dentist

Records the maxillo-mandibular relationship using conventional procedures.

Dental laboratory

Fabricates the wax setup and sends it to the dentist for a try-in to ensure correct function, esthetics and phonetics.



2. Scanning

Dental laboratory

Scans the model and wax setup using the NobelProcera Scanner. Alternatively, the laboratory sends them to the NobelProcera production facility for centralized scanning.**

The NobelProcera Scanner uses unique conoscopic holography technology for high accuracy.



3. Design

Dental laboratory

Designs a wide variety of implant bars on many different implant systems with ease and speed in the NobelProcera Software – from simple to the most complex cases.

The design is sent straight from the NobelProcera Software via the Internet to a NobelProcera production facility.



4. Industrialized production

Nobel Biocare

Produces the bar according to the CAD data sent by the dental laboratory by means of computer-aided manufacturing.

The ready-to-use bar is shipped to the dental laboratory, including clinical screws and attachments.*** The laboratory finalizes the restoration and sends it to the restorative clinician.

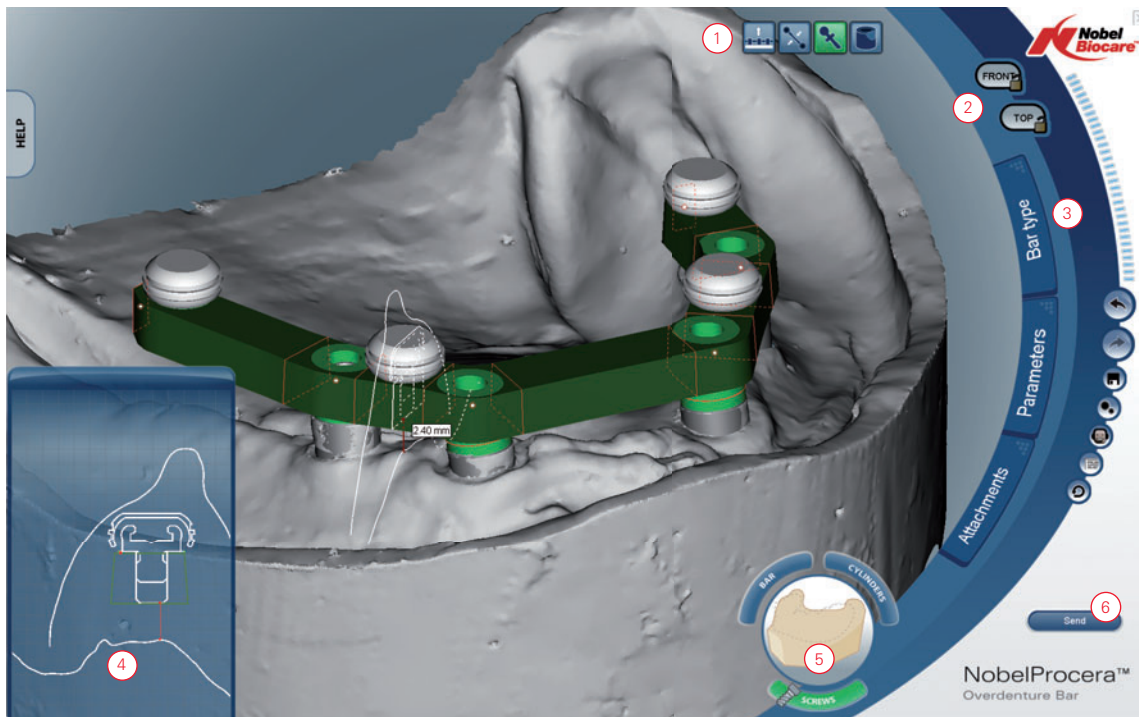
NobelProcera Software allows the dental technician to design a wide variety of implant bars with ease and speed, which get produced by a NobelProcera production facility in a few days.* This process increases the laboratory's efficiency and reduces its in-house costs.

* All NobelProcera production facilities are compliant with ISO 13485 Quality System.

** In the initial phase of the launch, only centralized scanning will be possible.

*** Availability of bars and attachments may differ from country to country depending on regulatory clearance.

NobelProcera® Software – designed by technicians for technicians.



- 1 Cut cylinders, position attachments, form the implant bar and align it with the model.
- 2 Change views easily.
- 3 Choose from a wide range of implant bars and distal extensions.

- 4 Visualize the prosthetic setup to ensure an optimal bar design, such as vertical height, distance to soft tissue and attachment position.
- 5 Display only the desired elements: model, prosthetic setup, bar or cylinders.

- 6 Send the design straight to the NobelProcera production facility.

Intuitive and user-friendly software

Vast range of tools allows optimal implant bar designs for all indications and customer needs, including selection and positioning of prefabricated attachments.

Automatic design proposal based on the scanned situation.

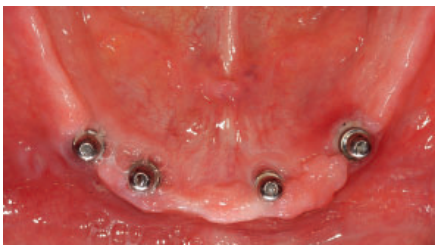
Warning function for production limitations in real time.

Archiving of the 3D design files for providing continued and long-term professional assistance to patients.

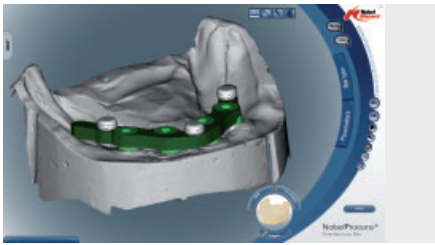
Achieving excellent results with NobelProcera®.

NobelProcera Free Form Milled Bar with Locator® attachments.

Dr. Stefan Holst and DentalX GmbH, Germany.



Occlusal view of four implants with ball attachments. Due to inadequate functional stability, the patient requests a more stable solution. Wax setup and implant model are made and scanned.



An individualized NobelProcera Implant Bar Overdenture is designed using the NobelProcera Software. The final design is sent to the NobelProcera production facility for computer-aided manufacturing.



The precision of fit of the highly polished and ready-to-use NobelProcera Implant Bar Overdenture is confirmed on the implant model.



The NobelProcera Implant Bar Overdenture complete with Locator attachments is attached to the four implants using clinical screws.



The overdenture is placed on the implant bar and retained by the Locator attachments.

Customer service worldwide.

Europe and Russia

Austria

Nobel Biocare Austria
Phone: +43 1 892 89 90

Belgium

Nobel Biocare Belgium
Phone: +32 2 467 41 70

Denmark

Nobel Biocare Denmark
Phone: +45 39 40 48 46

Finland

Nobel Biocare Finland
Phone: +358 9 343 69 70

France

Nobel Biocare France
Phone: +33 1 49 20 00 30

Germany

Nobel Biocare Germany
Phone: +49 221 500 85 590

Hungary

Nobel Biocare Hungary
Phone: +36 1 279 33 79

Ireland

Nobel Biocare Ireland
Phone: toll free 1800 677 306

Italy

Nobel Biocare Italy
Phone: +39 039 683 61
Cust. support: toll free 800 53 93 28

Lithuania

Nobel Biocare Lithuania
Phone: +370 5 268 3448

Netherlands

Nobel Biocare Netherlands
Phone: +31 30 635 4949

Norway

Nobel Biocare Norway
Phone: +47 23 24 98 30

Poland

Nobel Biocare Poland
Phone: +48 22 549 93 50
Cust. support: +48 22 549 93 52

Portugal

Nobel Biocare Portugal
Phone: +351 22 374 73 50
Cust. support: toll free 800 300 100

Russia

Nobel Biocare Russia
Phone: +7 495 974 77 55
Cust. support: toll free 8 800 250 77 55

Spain

Nobel Biocare Spain
Phone: +34 93 508 8800
Cust. support: toll free 900 850 008

Sweden

Nobel Biocare Sweden
Phone: +46 31 335 49 00
Cust. support: +46 31 335 49 10

Switzerland

Nobel Biocare Switzerland
Phone: +41 43 211 53 20

United Kingdom

Nobel Biocare UK
Phone: +44 208 756 3300

North America

Canada

Nobel Biocare Canada
Phone: +1 905 762 3500
Cust. support: +1 800 939 9394

USA

Nobel Biocare USA
Phone: +1 714 282 4800
Cust. support: +1 800 322 5001

Central/South America

Distributor Markets

Brazil

Nobel Biocare Brazil
Phone: +55 11 5102 7000
Cust. support: 0800 169 996

Chile

ECM Ingeniera S.A.
Phone: +56 2 655 5500
Cust. support: +56 2 655 5502

Colombia

Hospimedics S.A.
Phone: +57 1 620 9410
Cust. support: +57 1 620 9410

Mexico

Nobel Biocare Mexico
Phone: +52 55 524 974 60

Asia Pacific

Australia

Nobel Biocare Australia
Phone: +61 2 8064 5100
Cust. support: toll free 1800 804 597

China

Nobel Biocare China
Phone: +86 21 5206 6655
Cust. support: +86 21 5206 0974

Hong Kong

Nobel Biocare Hong Kong
Phone: +852 2845 1266
Cust. support: +852 2823 8926

India

Nobel Biocare India
Phone: +91 22 6751 9999
Cust. support: toll free 1 800 22 9998

Japan

Nobel Biocare Japan
Phone: +81 3 6717 6191

New Zealand

Nobel Biocare New Zealand
Phone: +61 2 8064 5100
Cust. support: toll free 0800 441 657

Singapore

Nobel Biocare Singapore
Phone: +65 6737 7967
Cust. support: +65 6737 7967

Taiwan

Nobel Biocare Taiwan
Phone: +886 2 2793 9933

Africa

South Africa

Nobel Biocare South Africa
Phone: +27 11 802 0112

Europe and Middle East

Distributor Markets

Bahrain, Bulgaria, Croatia, Cyprus, Czech Republic, Greece, Iran, Iraq, Israel, Jordan, Kuwait, Lebanon, Malta, Oman, Romania, Saudi Arabia, Serbia, Slovakia, Slovenia, Turkey, United Arab Emirates, Qatar

Phone: +48 22 549 93 56
Cust. support: +48 22 549 93 55

